



ALBLIS-I

Flat Plate Automatic Blister Packing Machine



- Simple Operation • Quick Change Over • Cost Efficient
- Easy Maintenance • Ideal for small batch production
- Suitable for Alu-Alu, PVC-Alu and PVC-Paper Blister Packs
- Can pack Tablets, Capsules, Dragees and also vials, Ampules, Tubes, Creams

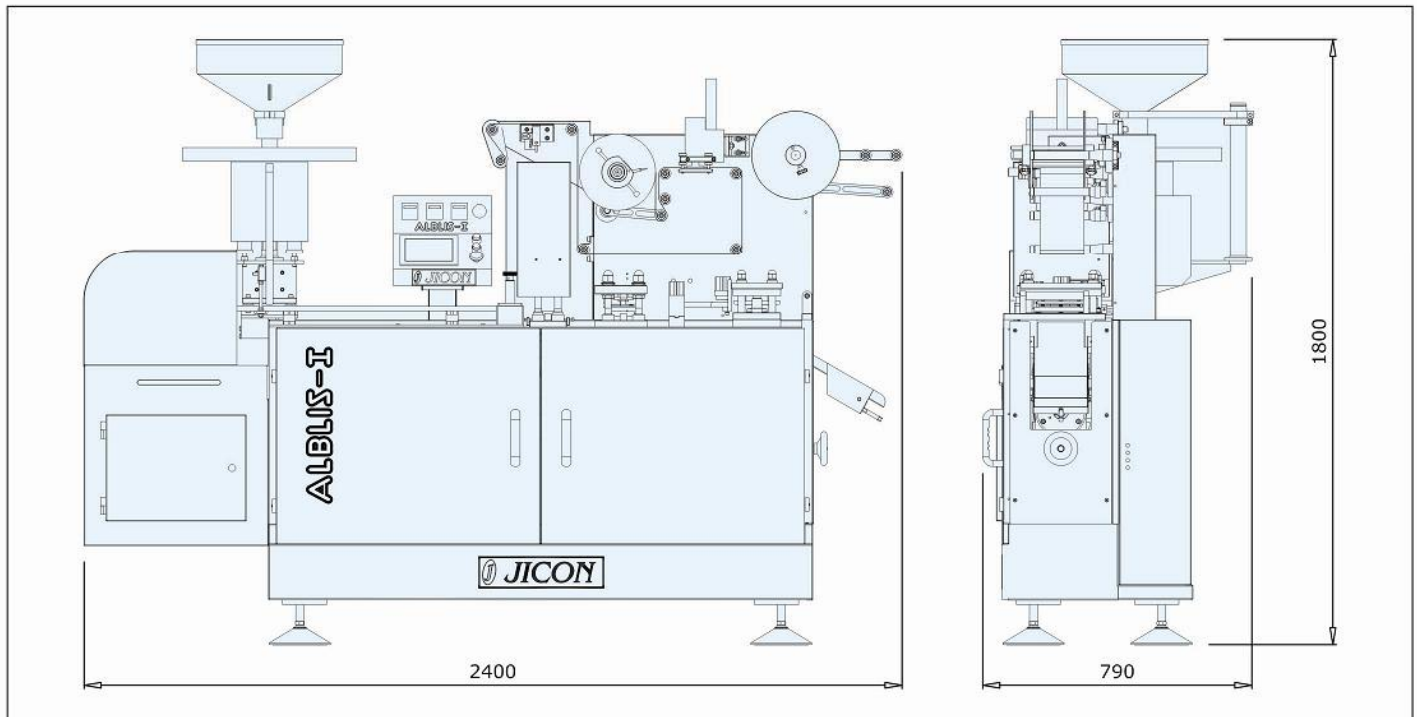


The Machine

ALBLIS-I is a versatile 'Flat Plate' intermittent motion automatic blister packing machine that can produce **Alu-Alu** blister packs by cold forming method as well as **PVC-Alu** blister packs by thermoforming method. This machine is utilized for packing of smaller and regular shaped solid articles such as pharmaceutical Tablets, Capsules, Dragees etc. in Alu-Alu or PVC-Alu blister packs. This Machine can also be used for packing of Ampoules, Vials, Tubes in PVC-Alu blister packs. The Blister Forming, Sealing, Indexing and Punching operations are of intermittent reciprocating motion. Various types and styles of product feeding devices are offered to suit different application.

The standard configuration of machine is for producing of **Alu-Alu** blisters suitable for pharmaceutical tablets, Capsules, Dragees etc. The standard configuration may be opted out or can be combined with other configurations.

Dimensions



Technical Specifications

Base Material : Max Width: (Cold form laminated Alu Foil/PVC/PVC-PVDC) 0.2 To 0.3 Thick; in Reel form max Ø250.	140
Lidding Material: Max Width: (HSL Coated hard Alu/Glassine Foil) 0.02 To 0.043 Thick; in Reel form max Ø220.	140
Max. Pack Size: (1 Up) (2 Up)	130 X 130 130 X 62
Min. Pack Size:	40 X 45
Max. Forming Depth:	10 (Extendable to 20)
Max. Output*: Packs / Min:	30 (1 Up) 60 (2 Up)

Max. Strokes / Min:	30
Compressed air pressure (Bar)	6
Air Consumption (Lit / Min)	200
Electrical Power Connection Details:	440V, 3Ph, Ac, +N, Earth (Other Voltage on Requ.)
Net Weight Kg.	800 kg.
Gross Weight Kg.	1000 kg.
Case Dimensions:	2400X790X1800(H)

All Dimensions are in mm.

Innovation and improvisation is a constant process at Jicon and thus features and specifications are subject to changes without notice.
Accessories shown may not be part of standard supply.



JICON INDUSTRIES

P. O. Box 8902, Mumbai - 400 072. India. Tel : +91-22-2851 0398

Fax : +91-22-2851 6488 • E-mail : jicon.ind@vsnl.com • Website : www.jicon.com