

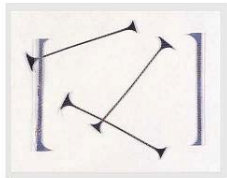
GREATER OUTPUT



GREATER SAVINGS

# BLSR

AUTOMATIC BLISTER PACKING MACHINES



▲ Greatly reduced trim waste for better yield.

**EFFICIENCY :**

Our Competence and experience in package design ensures optimum utilization of machine capacity to give highest possible output as well as minimum possible packaging material consumption.

**PERFORMANCE :**

Simplicity of design with careful placement of various stations giving operator full vision and total control of all principal functions of machine that enhances performance.

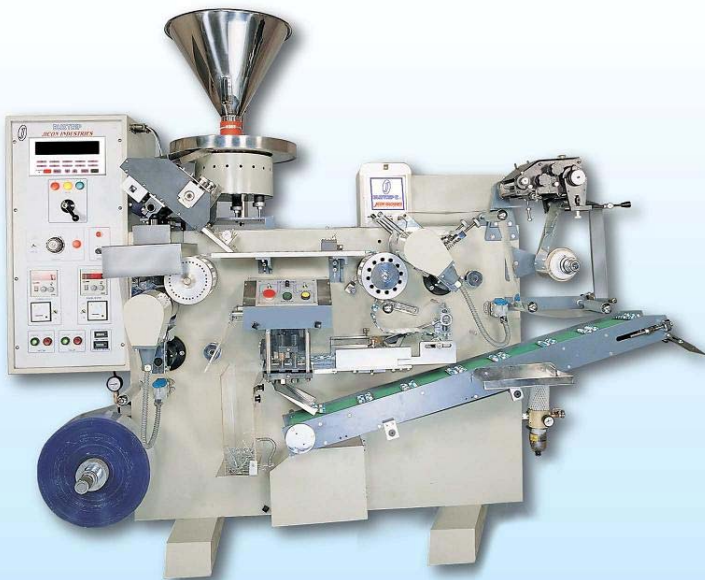
**RELIABILITY :**

Solid structure and sturdy components together with easy to set up and maintain mechanism ensures maximum availability. Quick and easy change over from one format to another improves productivity to satisfy market requirements.

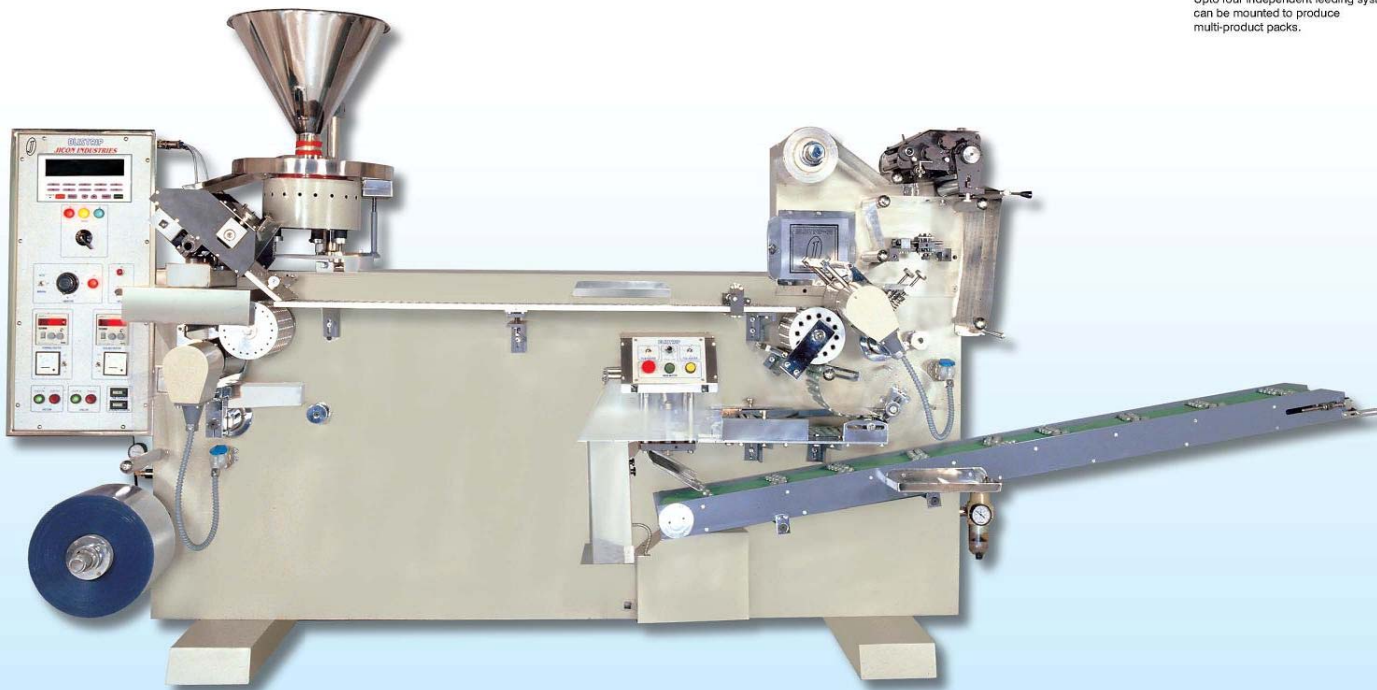
**FLEXIBILITY :**

The Machine can handle wide range of forming and lidding materials, can be equipped with various types of feeding systems to handle most types and shapes of pharmaceutical tablets / hard or soft capsules / pills in any presentation.

## BLISTRIP-I *xt*



## BLISTRIP-II



▲ Upto four independent feeding systems can be mounted to produce multi-product packs.

### SPECIFICATIONS

	BLISTRIP-I <sub>xt</sub>	BLISTRIP-II
MAX WEB WIDTH:	148 mm	210 mm
MAX. FORMING DEPTH:	10 mm (EXTENDABLE TO 20)	
MAX. OUTPUT* : PACKS / MIN :	150 (1 UP) 250 (2 UP)	250 (2 UP) 350 (3 UP)
MAX. STROKES / MIN :	150	150
NET WEIGHT Kg.	1,200	1,700
GROSS WEIGHT Kg.	1,600	2,400
CASE DIMENSIONS :	2400 x 1270 x 1930(H)	3430 x 1400 x 1930(H)

ALL DIMENSIONS ARE IN MM.

\*Output depends on pack size, pack configuration, product size & shape, product characteristics etc.

### FEATURES

- HIGH SPEED, HIGH PRODUCTION, COST EFFECTIVE
- COMBI PACKS for better utilization of capacity and packaging materials
- EDGE – TO – EDGE CUTTING to eliminate trim waste between packs
- SPECIAL TOOL DESIGN reduces trim waste
- CONTINUOUS BLISTER FORMING at low temperature by contact heating system
- ALL CHANGE OVER PARTS and adjustments accessible FROM FRONT SIDE
- EASY AND QUICK CHANGE OVER reduces material wastage and down time
- SIMPLER OPERATION Reduces operator fatigue – increases output
- COMPACT – occupies less floor space
- AIR – COMPRESSOR not required on some models
- EXTENDED GUIDE TRACK can accommodate upto four feeders to produce multi-product kit packs

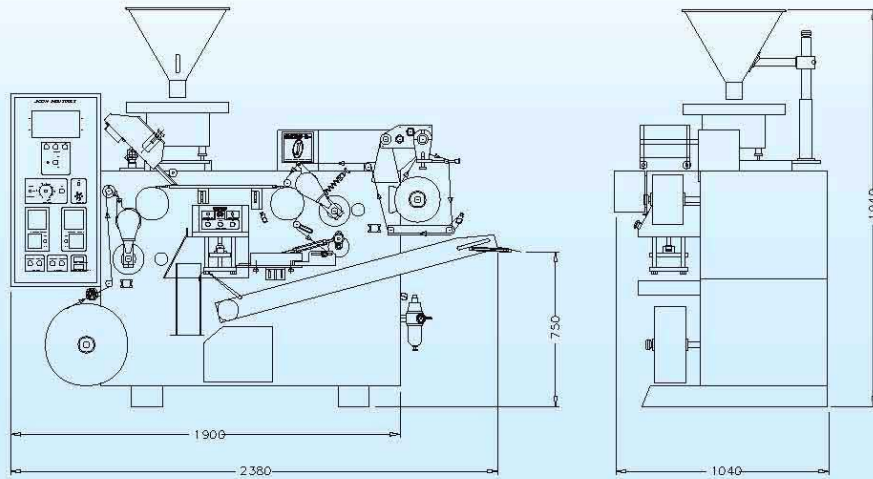
⌘ HIGH SPEED ⌘ SIMPLE OPERATION ⌘ QUICK CHANGE OVER ⌘

⌘ EASY MAINTENANCE ⌘ REDUCED PACKAGING MATERIAL CONSUMPTION ⌘

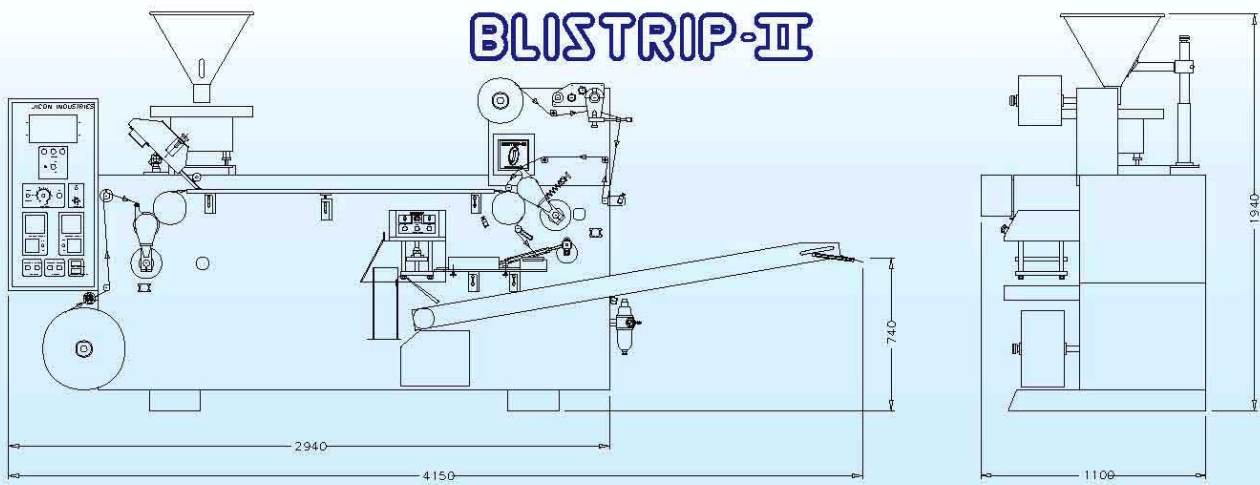
⌘ BETTER UTILIZATION OF CAPACITY ⌘ COST EFFICIENT ⌘

\*Specifications and standard supplies are subject to changes without notice.

## BLISTRIP-I<sub>xt</sub>



## BLISTRIP-II



AS CONSTANT EFFORTS ARE MADE TO IMPROVE THE FEATURES, SPECIFICATIONS AND DIMENSIONS SHOWN ARE SUBJECT TO CHANGES WITHOUT NOTICE.



**JICON MACHINES**  
PRIVATE LIMITED

P. O. Box No. 8902, Mumbai - 400 072. INDIA.  
Tel.: (+91) (22) 2851 0398 • Fax : (+91) (22) 2851 6488  
E-mail : [jicon.ind@vsnl.com](mailto:jicon.ind@vsnl.com) • Website : <http://www.jicon.com>